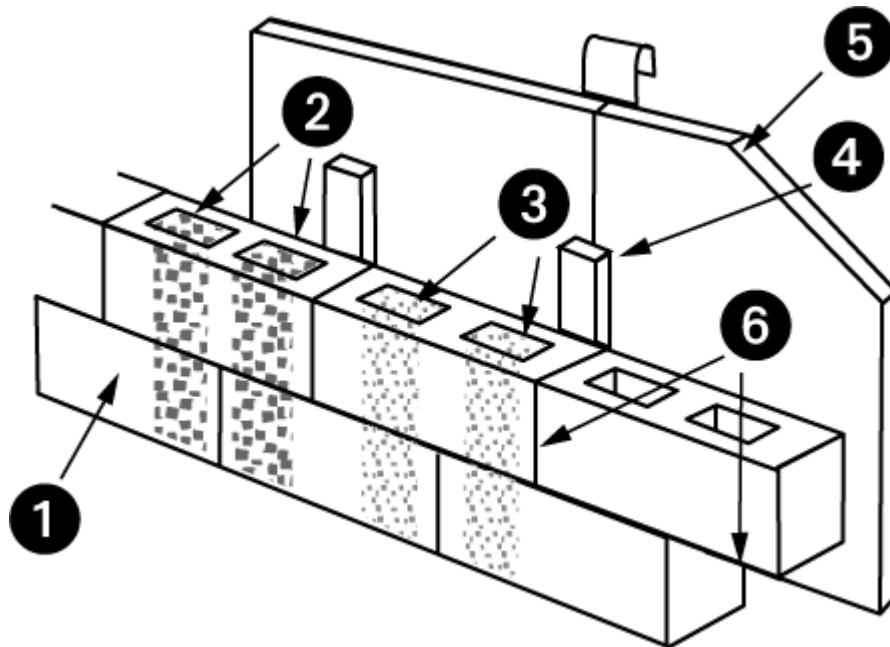


4-Hour Fire Rating

6" C.M.U.

Fire Rating: 4 Hour

No. 6-4-910330GFD



Assembly Information

1. Preferred product 910330 c.m.u. 6" x 8" x 16" nominal
2. Masonry grout -all cells filled
- OR**
3. Approved loose fill material - all cells filled*
4. Wood or steel furring members - 16" o.c. maximum.
5. Gypsum wallboard - Type "X", 5/8" thick, long dimension parallel to furring members - all joints finished.
5. ASTM C-270 Masonry Mortar, Type M or S. Face shell or full mortar bedding as required.
6. Masonry grout, reinforcing steel, joint reinforcement, anchors, ties and accessories (Not depicted above - optional). Use where specified.

*Approved loose fill materials include: sand, pea gravel, crushed stone or slag that meet ASTM C33 requirements; pumice, scoria, expanded shale, expanded clay, expanded slate, expanded slag, expanded fly ash, or cinders in compliance with ASTM C331; perlite or vermiculite that complies with ASTM C332 or ASTM C549 and C516, respectively.

Preferred Materials Inc. accepts no responsibility for proper application of the rated wall assembly above, or responsibility for the construction of such assemblies.

Fire Rating: 4 Hour No. 6-4-910330GFD

Concrete Masonry Unit

Section 721.3.2 of the Florida Building Code

| Unit Description | Size WxHxL Nominal | Equivalent Thickness Inches | Fire Rating Minutes |
|-------------------------|-------------------------------|--|----------------------------|
| 910330 | 6x8x16 | 4.1 | 120.5* |

** Linear interpolation from Table 721.3.2 of the Florida Building Code for Exposed Finish Block Mix – 55% limestone & 45% siliceous aggregates.*

Section 721.3.1.3 and 721.3.1.4 of the Florida Building Code

Solid Grouted construction and/or cells filled with loose-fill materials

| Included | Equivalent Thickness Inches | Fire Rating Minutes |
|-----------------|--|--------------------------------|
| No | N/A | N/A |
| Yes | 5.62 | 209 |

** Linear interpolation from Table 721.3.2 of the Florida Building Code for Exposed Finish Block Mix – 55% limestone & 45% siliceous aggregates.*

Fire Rating: 4 Hour

No. 6-4-910330GFD

Nonfire-exposed side

Side 1

Section 721.3.2.1 of the Florida Building Code

| Finish | |
|---|---------------|
| ½ inch thick Gypsum Wallboard Type X | 0.625 |
| Multiplying factor Table 721.2.1.4(1) | 1 |
| Adjusted Thickness | 0.625 |
| Concrete Masonry Unit | |
| Unit Description | 910330 |
| Size WxHxL Nominal | 6x8x16 |
| Equivalent Thickness | 5.62 |
| Fire Rating Minutes | 209 |
| Total Thickness, CMU + Finish | 6.24 |
| Fire Resistance Rating of CMU & Finish, Table 721.3.2 | 240* |

** Linear interpolation from Table 721.3.2 of the Florida Building Code for Exposed Finish Block Mix – 55% limestone & 45% siliceous aggregates.*

Side 2

Section 721.3.2.1 of the Florida Building Code

| Finish | |
|---|---------------|
| None | 0 |
| Multiplying factor Table 721.2.1.4(1) | N/A |
| Adjusted Thickness (inches) | 0 |
| Concrete Masonry Unit | |
| Unit Description | 910330 |
| Size WxHxL Nominal | 6x8x16 |
| Equivalent Thickness (inches) | 5.62 |
| Fire Rating Minutes | 209 |
| Total Thickness, CMU + Finish (inches) | 5.62 |
| Fire Resistance Rating of CMU & Finish, Table 721.3.2 | 209* |

** Linear interpolation from Table 721.3.2 of the Florida Building Code for Exposed Finish Block Mix – 55% limestone & 45% siliceous aggregates.*

Fire Rating: 4 Hour No. 6-4-910330GFD

Fire-exposed side

Side 1

Section 721.3.2.2 of the Florida Building Code

| Finish | |
|---|------------|
| None | |
| Time assigned to finish materials Table 721.2.1.4(2) | 0 |
| | |
| Fire Resistance of CMU and Nonfire-exposed side Finish Table 721.3.2 | 240 |
| | |
| Assembly Fire-Resistance Rating | 240 |
| | |
| Max. allowable assembly Fire Resistance Block + finishes | 418 |
| | |
| Total Assembly Fire-Resistance Rating | 240 |

Side 2

Section 721.3.2.2 of the Florida Building Code

| Finish | |
|---|------------|
| 5/8 inch thick Gypsum Wallboard Type X | |
| Time assigned to finish materials Table 721.2.1.4(2) | 40 |
| | |
| Fire Resistance of CMU and Nonfire-exposed side Finish Table 721.3.2 | 209 |
| | |
| Assembly Fire-Resistance Rating | 249 |
| | |
| Max. allowable assembly Fire Resistance Block + finishes | 418 |
| | |
| Total Assembly Fire-Resistance Rating | 240 |

| | |
|--|--------------------|
| Assembly Fire-Resistance Rating | 240 Minutes |
|--|--------------------|

Fire Resistance Rating, minutes per inches of equivalent thickness
Linear Interpolation from table 721.3.2 of the 2007 Florida Building Code
Exposed Finish Block Mix – 55% Limestone & 45% Siliceous Aggregates

| | | | | | | | | | | | | | | | | | | | |
|------|------|------|------|------|------|------|------|------|-------|------|-------|------|-------|------|-------|------|-------|------|-------|
| 1.95 | 30.0 | 2.36 | 45.4 | 2.77 | 60.8 | 3.18 | 76.3 | 3.59 | 95.0 | 4.00 | 115.5 | 4.41 | 136.2 | 4.82 | 160.8 | 5.23 | 186.8 | 5.64 | 210.0 |
| 1.96 | 30.4 | 2.37 | 45.8 | 2.78 | 61.1 | 3.19 | 76.8 | 3.60 | 95.5 | 4.01 | 116.0 | 4.42 | 136.8 | 4.83 | 161.4 | 5.24 | 187.5 | 5.65 | 210.8 |
| 1.97 | 30.8 | 2.38 | 46.1 | 2.79 | 61.5 | 3.20 | 77.2 | 3.61 | 96.0 | 4.02 | 116.5 | 4.43 | 137.4 | 4.84 | 162.0 | 5.25 | 188.3 | 5.66 | 211.5 |
| 1.98 | 31.1 | 2.39 | 46.5 | 2.80 | 61.9 | 3.21 | 77.6 | 3.62 | 96.5 | 4.03 | 117.0 | 4.44 | 138.0 | 4.85 | 162.6 | 5.26 | 189.0 | 5.67 | 212.3 |
| 1.99 | 31.5 | 2.40 | 46.9 | 2.81 | 62.3 | 3.22 | 78.1 | 3.63 | 97.0 | 4.04 | 117.5 | 4.45 | 138.6 | 4.86 | 163.2 | 5.27 | 189.8 | 5.68 | 213.0 |
| 2.00 | 31.9 | 2.41 | 47.3 | 2.82 | 62.6 | 3.23 | 78.5 | 3.64 | 97.5 | 4.05 | 118.0 | 4.46 | 139.2 | 4.87 | 163.8 | 5.28 | 190.5 | 5.69 | 213.8 |
| 2.01 | 32.3 | 2.42 | 47.6 | 2.83 | 63.0 | 3.24 | 79.0 | 3.65 | 98.0 | 4.06 | 118.5 | 4.47 | 139.8 | 4.88 | 164.4 | 5.29 | 191.3 | 5.70 | 214.5 |
| 2.02 | 32.6 | 2.43 | 48.0 | 2.84 | 63.4 | 3.25 | 79.4 | 3.66 | 98.5 | 4.07 | 119.0 | 4.48 | 140.4 | 4.89 | 165.0 | 5.30 | 192.0 | 5.71 | 215.3 |
| 2.03 | 33.0 | 2.44 | 48.4 | 2.85 | 63.7 | 3.26 | 79.9 | 3.67 | 99.0 | 4.08 | 119.5 | 4.49 | 141.0 | 4.90 | 165.6 | 5.31 | 192.8 | 5.72 | 216.0 |
| 2.04 | 33.4 | 2.45 | 48.7 | 2.86 | 64.1 | 3.27 | 80.3 | 3.68 | 99.5 | 4.09 | 120.0 | 4.50 | 141.6 | 4.91 | 166.2 | 5.32 | 193.5 | 5.73 | 216.8 |
| 2.05 | 33.8 | 2.46 | 49.1 | 2.87 | 64.5 | 3.28 | 80.7 | 3.69 | 100.0 | 4.10 | 120.5 | 4.51 | 142.2 | 4.92 | 166.8 | 5.33 | 194.3 | 5.74 | 217.5 |
| 2.06 | 34.1 | 2.47 | 49.5 | 2.88 | 64.9 | 3.29 | 81.2 | 3.70 | 100.5 | 4.11 | 121.0 | 4.52 | 142.8 | 4.93 | 167.4 | 5.34 | 195.0 | 5.75 | 218.3 |
| 2.07 | 34.5 | 2.48 | 49.9 | 2.89 | 65.2 | 3.30 | 81.6 | 3.71 | 101.0 | 4.12 | 121.5 | 4.53 | 143.4 | 4.94 | 168.0 | 5.35 | 195.5 | 5.76 | 219.0 |
| 2.08 | 34.9 | 2.49 | 50.2 | 2.90 | 65.6 | 3.31 | 82.1 | 3.72 | 101.5 | 4.13 | 122.0 | 4.54 | 144.0 | 4.95 | 168.6 | 5.36 | 196.0 | 5.77 | 219.8 |
| 2.09 | 35.2 | 2.50 | 50.6 | 2.91 | 66.0 | 3.32 | 82.5 | 3.73 | 102.0 | 4.14 | 122.5 | 4.55 | 144.6 | 4.96 | 169.2 | 5.37 | 196.5 | 5.78 | 220.5 |
| 2.10 | 35.6 | 2.51 | 51.0 | 2.92 | 66.4 | 3.33 | 82.9 | 3.74 | 102.5 | 4.15 | 123.0 | 4.56 | 145.2 | 4.97 | 169.8 | 5.38 | 197.0 | 5.79 | 221.3 |
| 2.11 | 36.0 | 2.52 | 51.4 | 2.93 | 66.7 | 3.34 | 83.4 | 3.75 | 103.0 | 4.16 | 123.5 | 4.57 | 145.8 | 4.98 | 170.4 | 5.39 | 197.5 | 5.80 | 222.0 |
| 2.12 | 36.4 | 2.53 | 51.7 | 2.94 | 67.1 | 3.35 | 83.8 | 3.76 | 103.5 | 4.17 | 124.0 | 4.58 | 146.4 | 4.99 | 171.0 | 5.40 | 198.0 | 5.81 | 222.8 |
| 2.13 | 36.7 | 2.54 | 52.1 | 2.95 | 67.5 | 3.36 | 84.3 | 3.77 | 104.0 | 4.18 | 124.5 | 4.59 | 147.0 | 5.00 | 171.6 | 5.41 | 198.5 | 5.82 | 223.5 |
| 2.14 | 37.1 | 2.55 | 52.5 | 2.96 | 67.9 | 3.37 | 84.7 | 3.78 | 104.5 | 4.19 | 125.0 | 4.60 | 147.6 | 5.01 | 172.2 | 5.42 | 199.0 | 5.83 | 224.3 |
| 2.15 | 37.5 | 2.56 | 52.9 | 2.97 | 68.2 | 3.38 | 85.1 | 3.79 | 105.0 | 4.20 | 125.5 | 4.61 | 148.2 | 5.02 | 172.8 | 5.43 | 199.5 | 5.84 | 225.0 |
| 2.16 | 37.9 | 2.57 | 53.2 | 2.98 | 68.6 | 3.39 | 85.6 | 3.80 | 105.5 | 4.21 | 126.0 | 4.62 | 148.8 | 5.03 | 173.4 | 5.44 | 200.0 | 5.85 | 225.8 |
| 2.17 | 38.2 | 2.58 | 53.6 | 2.99 | 69.0 | 3.40 | 86.0 | 3.81 | 106.0 | 4.22 | 126.5 | 4.63 | 149.4 | 5.04 | 174.0 | 5.45 | 200.5 | 5.86 | 226.5 |
| 2.18 | 38.6 | 2.59 | 54.0 | 3.00 | 69.4 | 3.41 | 86.5 | 3.82 | 106.5 | 4.23 | 127.0 | 4.64 | 150.0 | 5.05 | 174.6 | 5.46 | 201.0 | 5.87 | 227.3 |
| 2.19 | 39.0 | 2.60 | 54.4 | 3.01 | 69.7 | 3.42 | 86.9 | 3.83 | 107.0 | 4.24 | 127.5 | 4.65 | 150.6 | 5.06 | 175.2 | 5.47 | 201.5 | 5.88 | 228.0 |
| 2.20 | 39.4 | 2.61 | 54.7 | 3.02 | 70.1 | 3.43 | 87.3 | 3.84 | 107.5 | 4.25 | 128.0 | 4.66 | 151.2 | 5.07 | 175.8 | 5.48 | 202.0 | 5.89 | 228.8 |
| 2.21 | 39.7 | 2.62 | 55.1 | 3.03 | 70.5 | 3.44 | 87.8 | 3.85 | 108.0 | 4.26 | 128.5 | 4.67 | 151.8 | 5.08 | 176.4 | 5.49 | 202.5 | 5.90 | 229.5 |
| 2.22 | 40.1 | 2.63 | 55.5 | 3.04 | 70.9 | 3.45 | 88.2 | 3.86 | 108.5 | 4.27 | 129.0 | 4.68 | 152.4 | 5.09 | 177.0 | 5.50 | 203.0 | 5.91 | 230.3 |
| 2.23 | 40.5 | 2.64 | 55.9 | 3.05 | 71.2 | 3.46 | 88.7 | 3.87 | 109.0 | 4.28 | 129.5 | 4.69 | 153.0 | 5.10 | 177.6 | 5.51 | 203.5 | 5.92 | 231.0 |
| 2.24 | 40.9 | 2.65 | 56.2 | 3.06 | 71.6 | 3.47 | 89.1 | 3.88 | 109.5 | 4.29 | 130.0 | 4.70 | 153.6 | 5.11 | 178.2 | 5.52 | 204.0 | 5.93 | 231.8 |
| 2.25 | 41.2 | 2.66 | 56.6 | 3.07 | 72.0 | 3.48 | 89.6 | 3.89 | 110.0 | 4.30 | 130.5 | 4.71 | 154.2 | 5.12 | 178.8 | 5.53 | 204.5 | 5.94 | 232.5 |
| 2.26 | 41.6 | 2.67 | 57.0 | 3.08 | 72.4 | 3.49 | 90.0 | 3.90 | 110.5 | 4.31 | 131.0 | 4.72 | 154.8 | 5.13 | 179.4 | 5.54 | 205.0 | 5.95 | 233.3 |
| 2.27 | 42.0 | 2.68 | 57.4 | 3.09 | 72.7 | 3.50 | 90.5 | 3.91 | 111.0 | 4.32 | 131.5 | 4.73 | 155.4 | 5.14 | 180.0 | 5.55 | 205.5 | 5.96 | 234.0 |
| 2.28 | 42.4 | 2.69 | 57.7 | 3.10 | 73.1 | 3.51 | 91.0 | 3.92 | 111.5 | 4.33 | 132.0 | 4.74 | 156.0 | 5.15 | 180.8 | 5.56 | 206.0 | 5.97 | 234.8 |
| 2.29 | 42.7 | 2.70 | 58.1 | 3.11 | 73.5 | 3.52 | 91.5 | 3.93 | 112.0 | 4.34 | 132.5 | 4.75 | 156.6 | 5.16 | 181.5 | 5.57 | 206.5 | 5.98 | 235.5 |
| 2.30 | 43.1 | 2.71 | 58.5 | 3.12 | 73.9 | 3.53 | 92.0 | 3.94 | 112.5 | 4.35 | 133.0 | 4.76 | 157.2 | 5.17 | 182.3 | 5.58 | 207.0 | 5.99 | 236.3 |
| 2.31 | 43.5 | 2.72 | 58.9 | 3.13 | 74.2 | 3.54 | 92.5 | 3.95 | 113.0 | 4.36 | 133.5 | 4.77 | 157.8 | 5.18 | 183.0 | 5.59 | 207.5 | 6.00 | 237.0 |
| 2.32 | 43.9 | 2.73 | 59.2 | 3.14 | 74.6 | 3.55 | 93.0 | 3.96 | 113.5 | 4.37 | 134.0 | 4.78 | 158.4 | 5.19 | 183.8 | 5.60 | 208.0 | 6.01 | 237.8 |
| 2.33 | 44.2 | 2.74 | 59.6 | 3.15 | 75.0 | 3.56 | 93.5 | 3.97 | 114.0 | 4.38 | 134.5 | 4.79 | 159.0 | 5.20 | 184.5 | 5.61 | 208.5 | 6.02 | 238.5 |
| 2.34 | 44.6 | 2.75 | 60.0 | 3.16 | 75.4 | 3.57 | 94.0 | 3.98 | 114.5 | 4.39 | 135.0 | 4.80 | 159.6 | 5.21 | 185.3 | 5.62 | 209.0 | 6.03 | 239.3 |
| 2.35 | 45.0 | 2.76 | 60.4 | 3.17 | 75.9 | 3.58 | 94.5 | 3.99 | 115.0 | 4.40 | 135.6 | 4.81 | 160.2 | 5.22 | 186.0 | 5.63 | 209.5 | 6.04 | 240.0 |

Fire Resistance Rating, minutes per inches of equivalent thickness
Direct Interpolation from table 721.3.2 of the 2007 Florida Building Code
Stucco/Sand Finish Block Mix – 100% Limestone

| | | | | | | | | | | | | | | | | | | | |
|------|------|------|------|------|------|------|------|------|-------|------|-------|------|-------|------|-------|------|-------|------|-------|
| 1.90 | 30.0 | 2.31 | 45.4 | 2.72 | 60.8 | 3.13 | 76.5 | 3.54 | 97.0 | 3.95 | 117.5 | 4.36 | 139.5 | 4.77 | 163.5 | 5.18 | 193.5 | 5.59 | 216.8 |
| 1.91 | 30.4 | 2.32 | 45.8 | 2.73 | 61.1 | 3.14 | 77.0 | 3.55 | 97.5 | 3.96 | 118.0 | 4.37 | 140.3 | 4.78 | 164.0 | 5.19 | 194.3 | 5.60 | 217.5 |
| 1.92 | 30.8 | 2.33 | 46.1 | 2.74 | 61.5 | 3.15 | 77.5 | 3.56 | 98.0 | 3.97 | 118.5 | 4.38 | 141.0 | 4.79 | 164.5 | 5.20 | 195.0 | 5.61 | 218.3 |
| 1.93 | 31.1 | 2.34 | 46.5 | 2.75 | 61.9 | 3.16 | 78.0 | 3.57 | 98.5 | 3.98 | 119.0 | 4.39 | 141.8 | 4.80 | 165.0 | 5.21 | 195.5 | 5.62 | 219.0 |
| 1.94 | 31.5 | 2.35 | 46.9 | 2.76 | 62.3 | 3.17 | 78.5 | 3.58 | 99.0 | 3.99 | 119.5 | 4.40 | 142.5 | 4.81 | 165.8 | 5.22 | 196.0 | 5.63 | 219.8 |
| 1.95 | 31.9 | 2.36 | 47.3 | 2.77 | 62.6 | 3.18 | 79.0 | 3.59 | 99.5 | 4.00 | 120.0 | 4.41 | 143.3 | 4.82 | 166.5 | 5.23 | 196.5 | 5.64 | 220.5 |
| 1.96 | 32.3 | 2.37 | 47.6 | 2.78 | 63.0 | 3.19 | 79.5 | 3.60 | 100.0 | 4.01 | 120.5 | 4.42 | 144.0 | 4.83 | 167.3 | 5.24 | 197.0 | 5.65 | 221.3 |
| 1.97 | 32.6 | 2.38 | 48.0 | 2.79 | 63.4 | 3.20 | 80.0 | 3.61 | 100.5 | 4.02 | 121.0 | 4.43 | 144.8 | 4.84 | 168.0 | 5.25 | 197.5 | 5.66 | 222.0 |
| 1.98 | 33.0 | 2.39 | 48.4 | 2.80 | 63.7 | 3.21 | 80.5 | 3.62 | 101.0 | 4.03 | 121.5 | 4.44 | 145.5 | 4.85 | 168.8 | 5.26 | 198.0 | 5.67 | 222.8 |
| 1.99 | 33.4 | 2.40 | 48.8 | 2.81 | 64.1 | 3.22 | 81.0 | 3.63 | 101.5 | 4.04 | 122.0 | 4.45 | 146.3 | 4.86 | 169.5 | 5.27 | 198.5 | 5.68 | 223.5 |
| 2.00 | 33.8 | 2.41 | 49.1 | 2.82 | 64.5 | 3.23 | 81.5 | 3.64 | 102.0 | 4.05 | 122.5 | 4.46 | 147.0 | 4.87 | 170.3 | 5.28 | 199.0 | 5.69 | 224.3 |
| 2.01 | 34.1 | 2.42 | 49.5 | 2.83 | 64.9 | 3.24 | 82.0 | 3.65 | 102.5 | 4.06 | 123.0 | 4.47 | 147.8 | 4.88 | 171.0 | 5.29 | 199.5 | 5.70 | 225.0 |
| 2.02 | 34.5 | 2.43 | 49.9 | 2.84 | 65.2 | 3.25 | 82.5 | 3.66 | 103.0 | 4.07 | 123.5 | 4.48 | 148.5 | 4.89 | 171.8 | 5.30 | 200.0 | 5.71 | 225.8 |
| 2.03 | 34.9 | 2.44 | 50.3 | 2.85 | 65.6 | 3.26 | 83.0 | 3.67 | 103.5 | 4.08 | 124.0 | 4.49 | 149.3 | 4.90 | 172.5 | 5.31 | 200.5 | 5.72 | 226.5 |
| 2.04 | 35.3 | 2.45 | 50.6 | 2.86 | 66.0 | 3.27 | 83.5 | 3.68 | 104.0 | 4.09 | 124.5 | 4.50 | 150.0 | 4.91 | 173.3 | 5.32 | 201.0 | 5.73 | 227.3 |
| 2.05 | 35.6 | 2.46 | 51.0 | 2.87 | 66.4 | 3.28 | 84.0 | 3.69 | 104.5 | 4.10 | 125.0 | 4.51 | 150.5 | 4.92 | 174.0 | 5.33 | 201.5 | 5.74 | 228.0 |
| 2.06 | 36.0 | 2.47 | 51.4 | 2.88 | 66.7 | 3.29 | 84.5 | 3.70 | 105.0 | 4.11 | 125.5 | 4.52 | 151.0 | 4.93 | 174.8 | 5.34 | 202.0 | 5.75 | 228.8 |
| 2.07 | 36.4 | 2.48 | 51.7 | 2.89 | 67.1 | 3.30 | 85.0 | 3.71 | 105.5 | 4.12 | 126.0 | 4.53 | 151.5 | 4.94 | 175.5 | 5.35 | 202.5 | 5.76 | 229.5 |
| 2.08 | 36.7 | 2.49 | 52.1 | 2.90 | 67.5 | 3.31 | 85.5 | 3.72 | 106.0 | 4.13 | 126.5 | 4.54 | 152.0 | 4.95 | 176.3 | 5.36 | 203.0 | 5.77 | 230.3 |
| 2.09 | 37.1 | 2.50 | 52.5 | 2.91 | 67.9 | 3.32 | 86.0 | 3.73 | 106.5 | 4.14 | 127.0 | 4.55 | 152.5 | 4.96 | 177.0 | 5.37 | 203.5 | 5.78 | 231.0 |
| 2.10 | 37.5 | 2.51 | 52.9 | 2.92 | 68.2 | 3.33 | 86.5 | 3.74 | 107.0 | 4.15 | 127.5 | 4.56 | 153.0 | 4.97 | 177.8 | 5.38 | 204.0 | 5.79 | 231.8 |
| 2.11 | 37.9 | 2.52 | 53.2 | 2.93 | 68.6 | 3.34 | 87.0 | 3.75 | 107.5 | 4.16 | 128.0 | 4.57 | 153.5 | 4.98 | 178.5 | 5.39 | 204.5 | 5.80 | 232.5 |
| 2.12 | 38.2 | 2.53 | 53.6 | 2.94 | 69.0 | 3.35 | 87.5 | 3.76 | 108.0 | 4.17 | 128.5 | 4.58 | 154.0 | 4.99 | 179.3 | 5.40 | 205.0 | 5.81 | 233.3 |
| 2.13 | 38.6 | 2.54 | 54.0 | 2.95 | 69.4 | 3.36 | 88.0 | 3.77 | 108.5 | 4.18 | 129.0 | 4.59 | 154.5 | 5.00 | 180.0 | 5.41 | 205.5 | 5.82 | 234.0 |
| 2.14 | 39.0 | 2.55 | 54.4 | 2.96 | 69.7 | 3.37 | 88.5 | 3.78 | 109.0 | 4.19 | 129.5 | 4.60 | 155.0 | 5.01 | 180.8 | 5.42 | 206.0 | 5.83 | 234.8 |
| 2.15 | 39.4 | 2.56 | 54.7 | 2.97 | 70.1 | 3.38 | 89.0 | 3.79 | 109.5 | 4.20 | 130.0 | 4.61 | 155.5 | 5.02 | 181.5 | 5.43 | 206.5 | 5.84 | 235.5 |
| 2.16 | 39.7 | 2.57 | 55.1 | 2.98 | 70.5 | 3.39 | 89.5 | 3.80 | 110.0 | 4.21 | 130.5 | 4.62 | 156.0 | 5.03 | 182.3 | 5.44 | 207.0 | 5.85 | 236.3 |
| 2.17 | 40.1 | 2.58 | 55.5 | 2.99 | 70.9 | 3.40 | 90.0 | 3.81 | 110.5 | 4.22 | 131.0 | 4.63 | 156.5 | 5.04 | 183.0 | 5.45 | 207.5 | 5.86 | 237.0 |
| 2.18 | 40.5 | 2.59 | 55.9 | 3.00 | 71.2 | 3.41 | 90.5 | 3.82 | 111.0 | 4.23 | 131.5 | 4.64 | 157.0 | 5.05 | 183.8 | 5.46 | 208.0 | 5.87 | 237.8 |
| 2.19 | 40.9 | 2.60 | 56.2 | 3.01 | 71.6 | 3.42 | 91.0 | 3.83 | 111.5 | 4.24 | 132.0 | 4.65 | 157.5 | 5.06 | 184.5 | 5.47 | 208.5 | 5.88 | 238.5 |
| 2.20 | 41.2 | 2.61 | 56.6 | 3.02 | 72.0 | 3.43 | 91.5 | 3.84 | 112.0 | 4.25 | 132.5 | 4.66 | 158.0 | 5.07 | 185.3 | 5.48 | 209.0 | 5.89 | 239.3 |
| 2.21 | 41.6 | 2.62 | 57.0 | 3.03 | 72.4 | 3.44 | 92.0 | 3.85 | 112.5 | 4.26 | 133.0 | 4.67 | 158.5 | 5.08 | 186.0 | 5.49 | 209.5 | 5.90 | 240.0 |
| 2.22 | 42.0 | 2.63 | 57.4 | 3.04 | 72.7 | 3.45 | 92.5 | 3.86 | 113.0 | 4.27 | 133.5 | 4.68 | 159.0 | 5.09 | 186.8 | 5.50 | 210.0 | | |
| 2.23 | 42.4 | 2.64 | 57.7 | 3.05 | 73.1 | 3.46 | 93.0 | 3.87 | 113.5 | 4.28 | 134.0 | 4.69 | 159.5 | 5.10 | 187.5 | 5.51 | 210.8 | | |
| 2.24 | 42.7 | 2.65 | 58.1 | 3.06 | 73.5 | 3.47 | 93.5 | 3.88 | 114.0 | 4.29 | 134.5 | 4.70 | 160.0 | 5.11 | 188.3 | 5.52 | 211.5 | | |
| 2.25 | 43.1 | 2.66 | 58.5 | 3.07 | 73.9 | 3.48 | 94.0 | 3.89 | 114.5 | 4.30 | 135.0 | 4.71 | 160.5 | 5.12 | 189.0 | 5.53 | 212.3 | | |
| 2.26 | 43.5 | 2.67 | 58.9 | 3.08 | 74.2 | 3.49 | 94.5 | 3.90 | 115.0 | 4.31 | 135.8 | 4.72 | 161.0 | 5.13 | 189.8 | 5.54 | 213.0 | | |
| 2.27 | 43.9 | 2.68 | 59.2 | 3.09 | 74.6 | 3.50 | 95.0 | 3.91 | 115.5 | 4.32 | 136.5 | 4.73 | 161.5 | 5.14 | 190.5 | 5.55 | 213.8 | | |
| 2.28 | 44.2 | 2.69 | 59.6 | 3.10 | 75.0 | 3.51 | 95.5 | 3.92 | 116.0 | 4.33 | 137.3 | 4.74 | 162.0 | 5.15 | 191.3 | 5.56 | 214.5 | | |
| 2.29 | 44.6 | 2.70 | 60.0 | 3.11 | 75.5 | 3.52 | 96.0 | 3.93 | 116.5 | 4.34 | 138.0 | 4.75 | 162.5 | 5.16 | 192.0 | 5.57 | 215.3 | | |
| 2.30 | 45.0 | 2.71 | 60.4 | 3.12 | 76.0 | 3.53 | 96.5 | 3.94 | 117.0 | 4.35 | 138.8 | 4.76 | 163.0 | 5.17 | 192.8 | 5.58 | 216.0 | | |